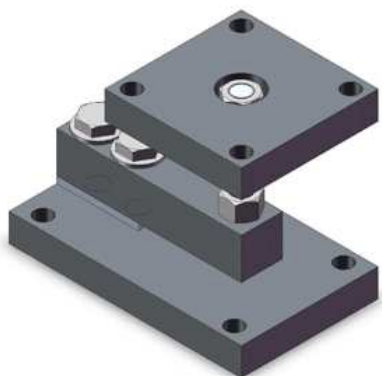
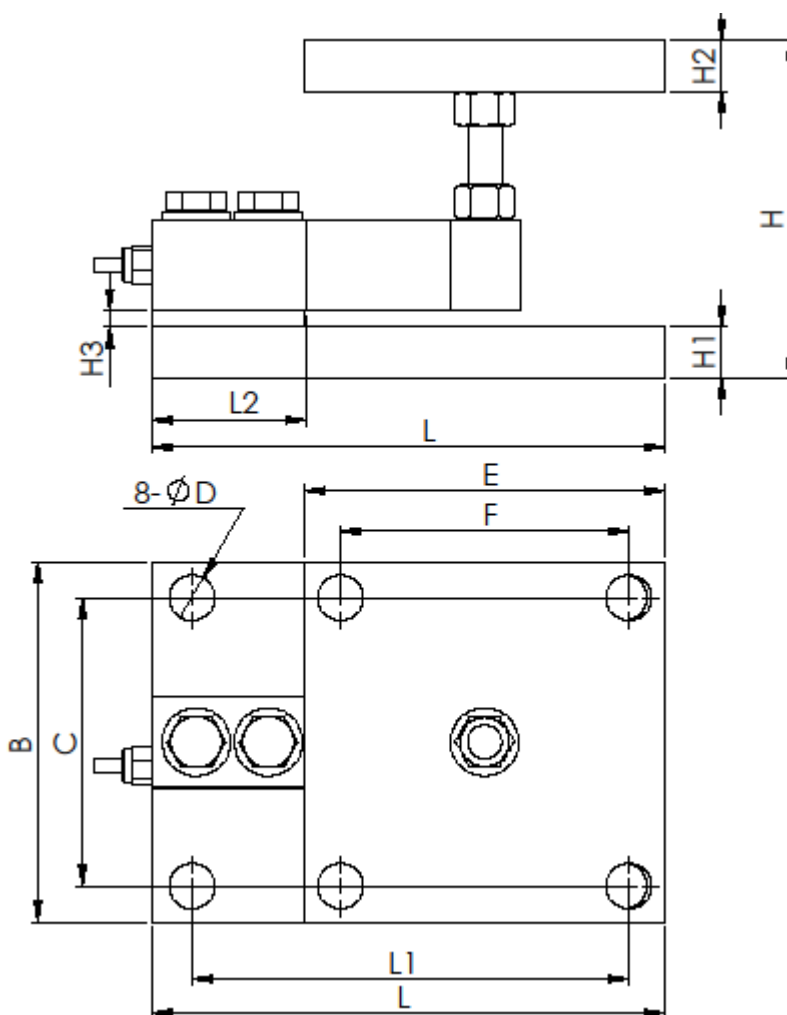


MSB7-M Sensor module



OUTLINE DIMENSIONS in millimeters (mm)



Capacity 量程	Size 尺寸 mm											
t	L	L1	B	D	C	E	F	L2	H1	H2	H3	H
0.5~2	180.9	152.4	127	16	101.6	127	101.6	54	18	18	6.1	100~120
2.5~5	215.9	177.8	127	16	101.6	127	101.6	76	26	26	6.1	130~150

DESCRIPTION

Stainless steel, alloy steel materials; Can match MSB7 Sensor