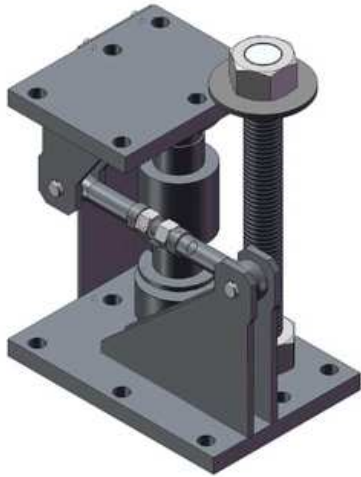
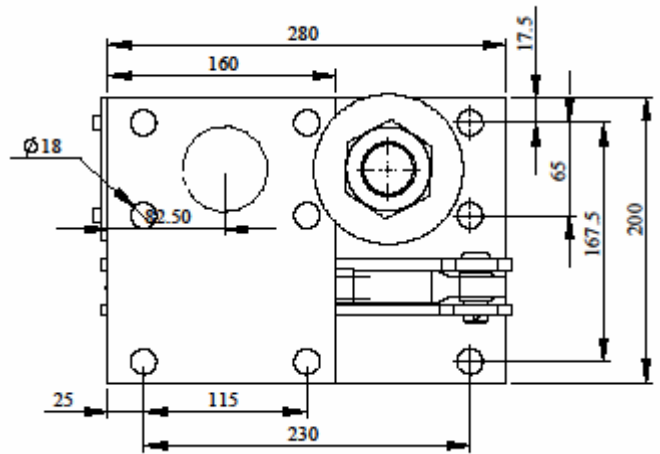
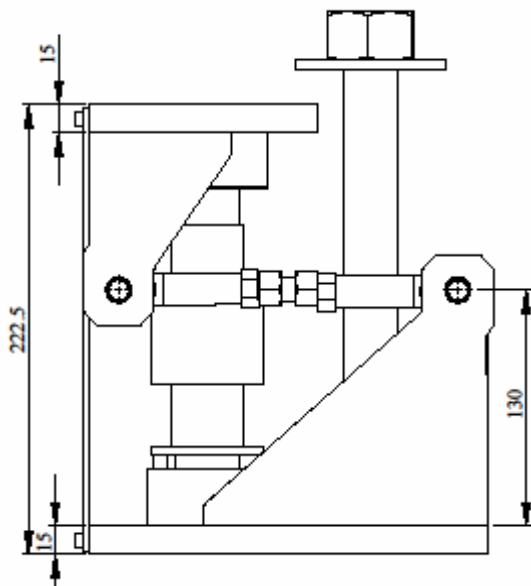


MZ5-M Sensor module

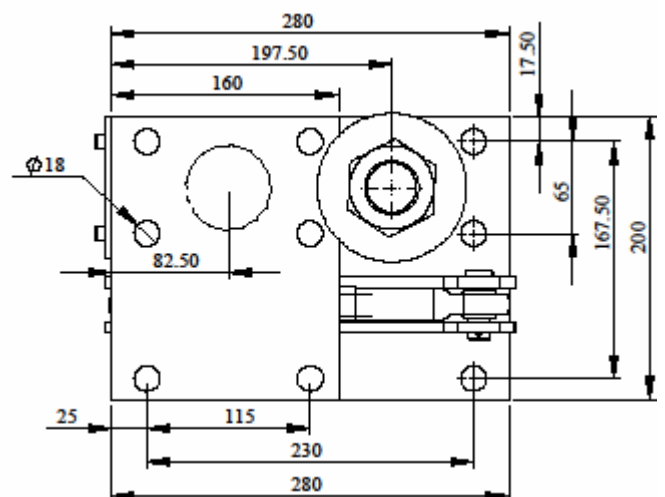
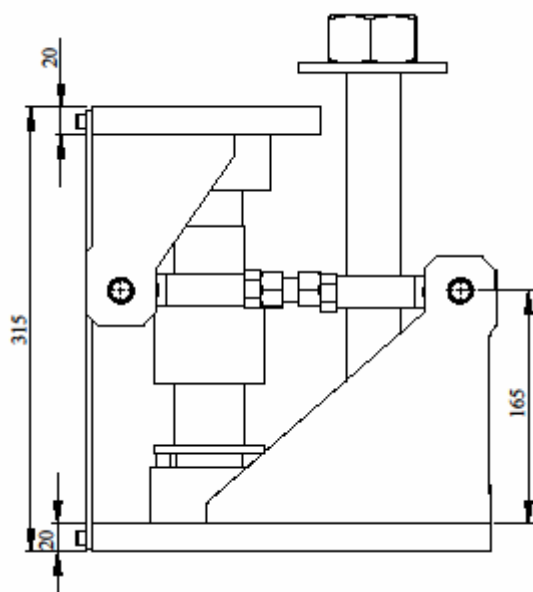


OUTLINE DIMENSIONS in millimeters (mm)

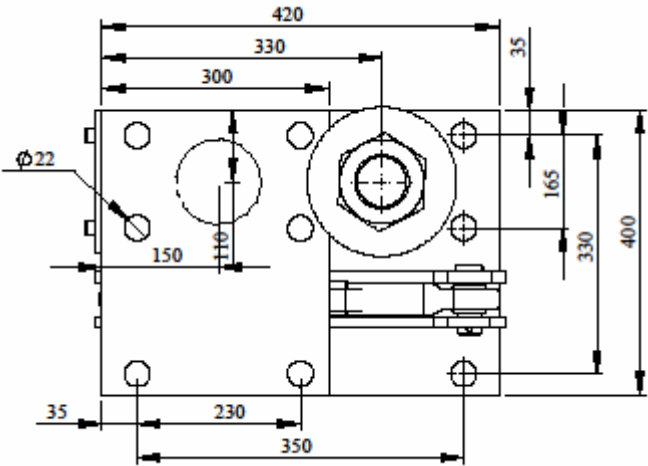
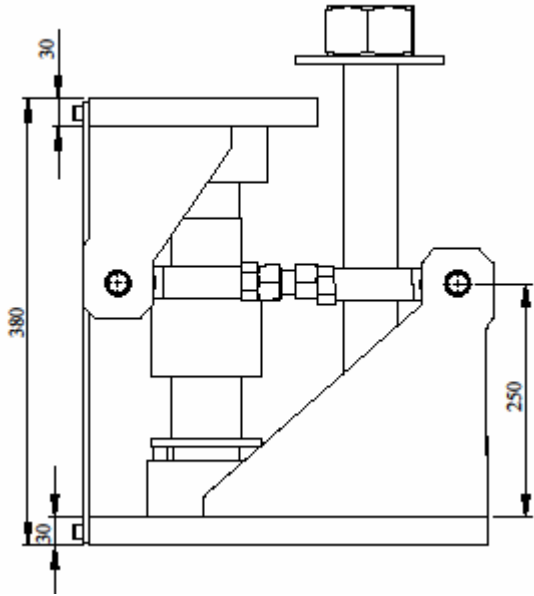
Capacity 20t~40t



Capacity 60t



Capacity 100t~200t



DESCRIPTION

Alloy steel material; Can match MZ5 weighing sensor