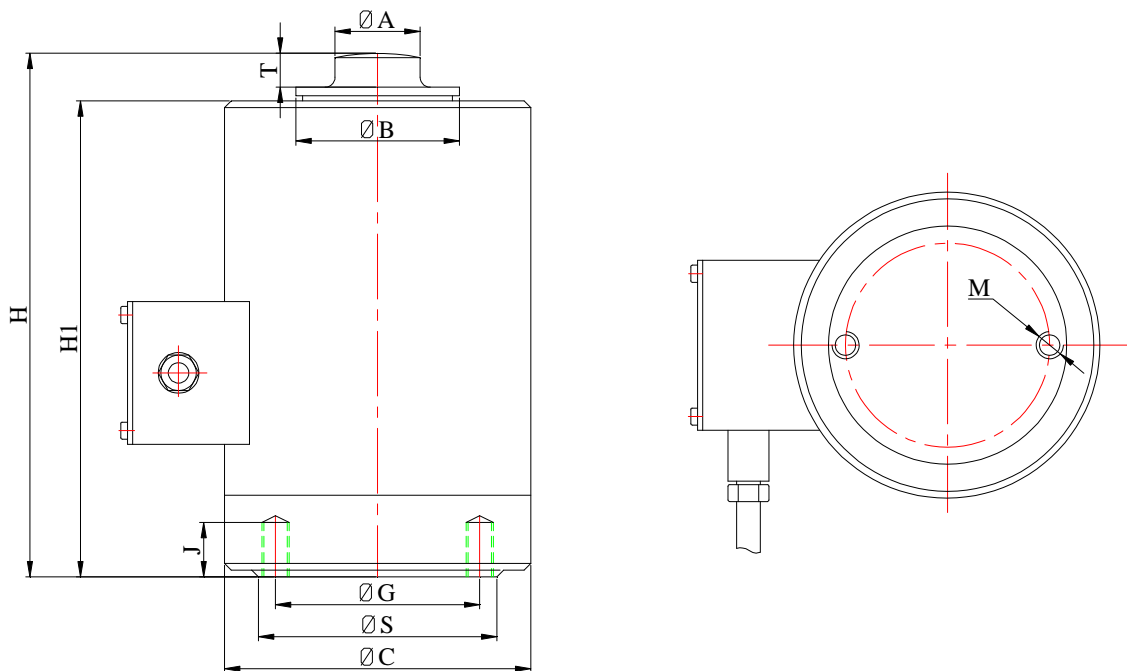


MZ17 Sensor



OUTLINE DIMENSIONS in millimeters (mm)



Capacity	ΦA	ΦB	ΦC	ΦG	ΦS	H	H1	T	J	M
5t	25	48	90	60	70	154	140	7	12	M8
10, 20t	32	70	115	60	82	200	183	7	24	M16
30, 50t	44	80	147	90	126	230	206	9	30	M20
100t	64	115	210	140	168	295	270	9	36	M24

SPECIFICATIONS

Capacity	t	5,10, 20, 30, 50, 100
Rated output	mv/v	(5t,1.5±0.1%)(10-100t,2.0±0.1%)
Non-linearity	%F.S	0.015
Hysteresis	%F.S	0.017
Creep in 30 minutes	%F.S	0.017
Zero balance	%F.S	±1
Input resistance	Ω	350±10
Output resistance	Ω	356±3
Insulation resistance	MΩ	≥5000
Excitation voltage	V	10V (maximum 15V) AC/DC
Environmental protection		IP67
Safe overload	%F.S	1 50
Ultimate overload	%F.S	300
Operating temperature range	°C	-10~+40
Material		Alloy steel & Stainless steel
Cable Length	m	6m, 12m (>10t)

Wiring Schematic Diagram

