

MSB8 Sensor

Single-Ended Beam

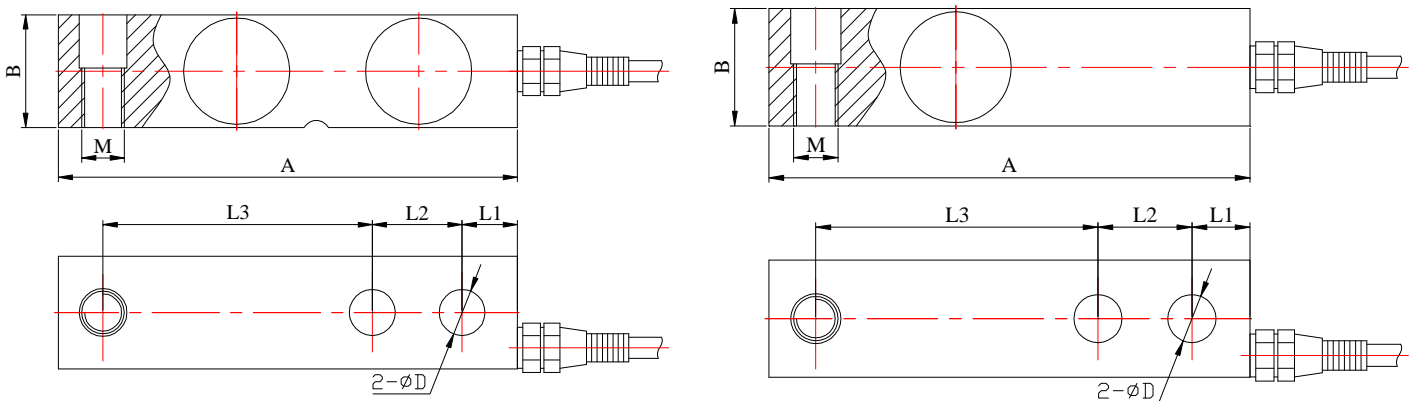


DESCRIPTION

Shear beam load cell, one end fixed, diverse loading, and good seal structure.

Self-centering, simple to install, easy to use, good interchangeability. Suitable for various ultra thin electronic truck scale, one-track crane scale, hopper scale, etc.

OUTLINE DIMENSIONS in millimeters (mm)

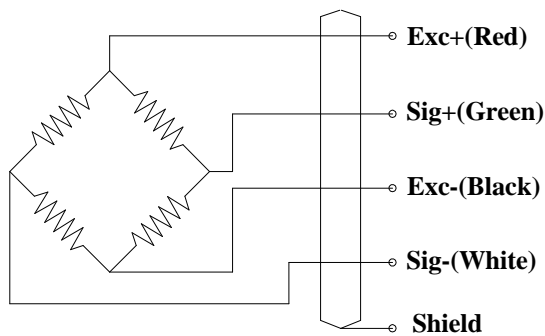


Capacity	Size mm						
t	A	B	L1	L2	L3	D	M
0.1~0.5	130	31.8	15.7	25.4	76.2	13	M 12
1~3	130	31.8	15.7	25.4	76.2	13	M 16
2.5	171.5	38.1	19.1	38.1	95.3	19.8	M20×1.5
3	171.5	38.1	19.1	38.1	95.3	19.8	
5	171.5	38.1	19.1	38.1	95.3	19.8	

SPECIFICATIONS

Capacity	kg	100,200,300,500,1000,2000,3000,2500,5000kg
Rated output	mv/v	2.0±0.1% OR 3.0±0.1%
Non-linearity	%F.S	0.03, 0.02
Hysteresis	%F.S	0.03, 0.02
Creep in 30 minutes	%F.S	0.03, 0.02
Zero balance	%F.S	±1
Input resistance	Ω	400±10
Output resistance	Ω	350±3
Insulation resistance	MΩ	≥5000
Excitation voltage	V	10V (maximum 15V) AC/DC
Environmental protection		IP67
Safe overload	%F.S	150
Ultimate overload	%F.S	300
Operating temperature range	°C	-10~+40
Material		Alloy steel & Stainless steel
Cable Length	m	3m(0.1~2t),5m(3~5t)

Wiring Schematic Diagram



FEATURE

- Capacities 100kg~5000kg ,
- Mounting height low, long-term stability
- Suitable for various ultra thin electronic truck scale, one-track crane scale, hopper scale, etc