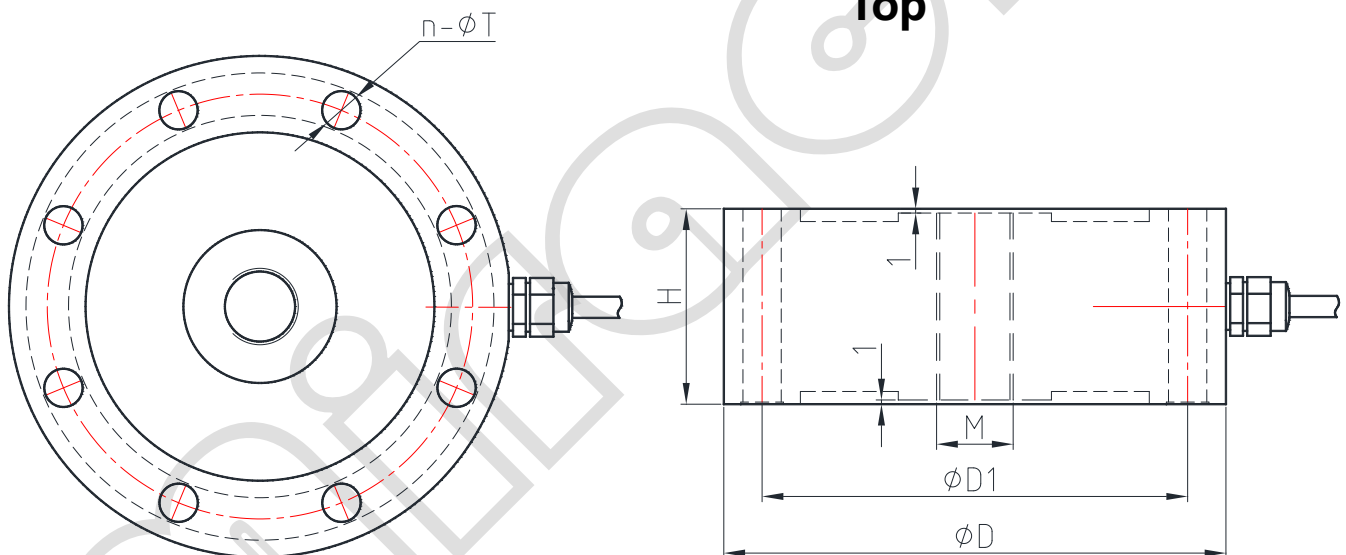




## DESCRIPTION

Low profile, suitable for tension and compression using. Small deflection, the compact construction is suitable for withstanding extraneous loads. High permissible dynamic load, protection to IP67.

## OUTLINE DIMENSIONS in millimeters



Capacity		Size mm			
kN	t	D	D1	M	$n-\phi T$
10~50	1~5	118	100	M16×2	8-φ9
200	20	182	154	M20×2	8-φ14

## SPECIFICATIONS

Capacity	t	1,2,5,20
Rated output	mv/v	2.0±0.1%
Non-linearity	%F.S	0.05
Hysteresis	%F.S	0.05
Creep in 30 minutes	%F.S	0.05
Zero balance	%F.S	±1
Input resistance	Ω	380±20
Output resistance	Ω	350±3
Insulation resistance	MΩ	≥5000
Excitation voltage	V	10V (maximum 15V) AC/DC
Environmental protection		IP67
Safe overload	%F.S	150
Ultimate overload	%F.S	200
Operating temperature range	°C	-10 ~ +40
Material		Alloy steel & Stainless steel

## FEATURE

- Axle-load scale, warehouse scale, experimental machine

## Wiring Schematic Diagram

